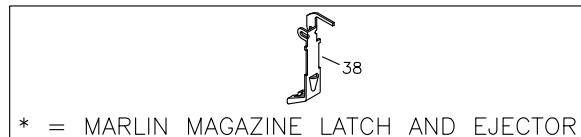
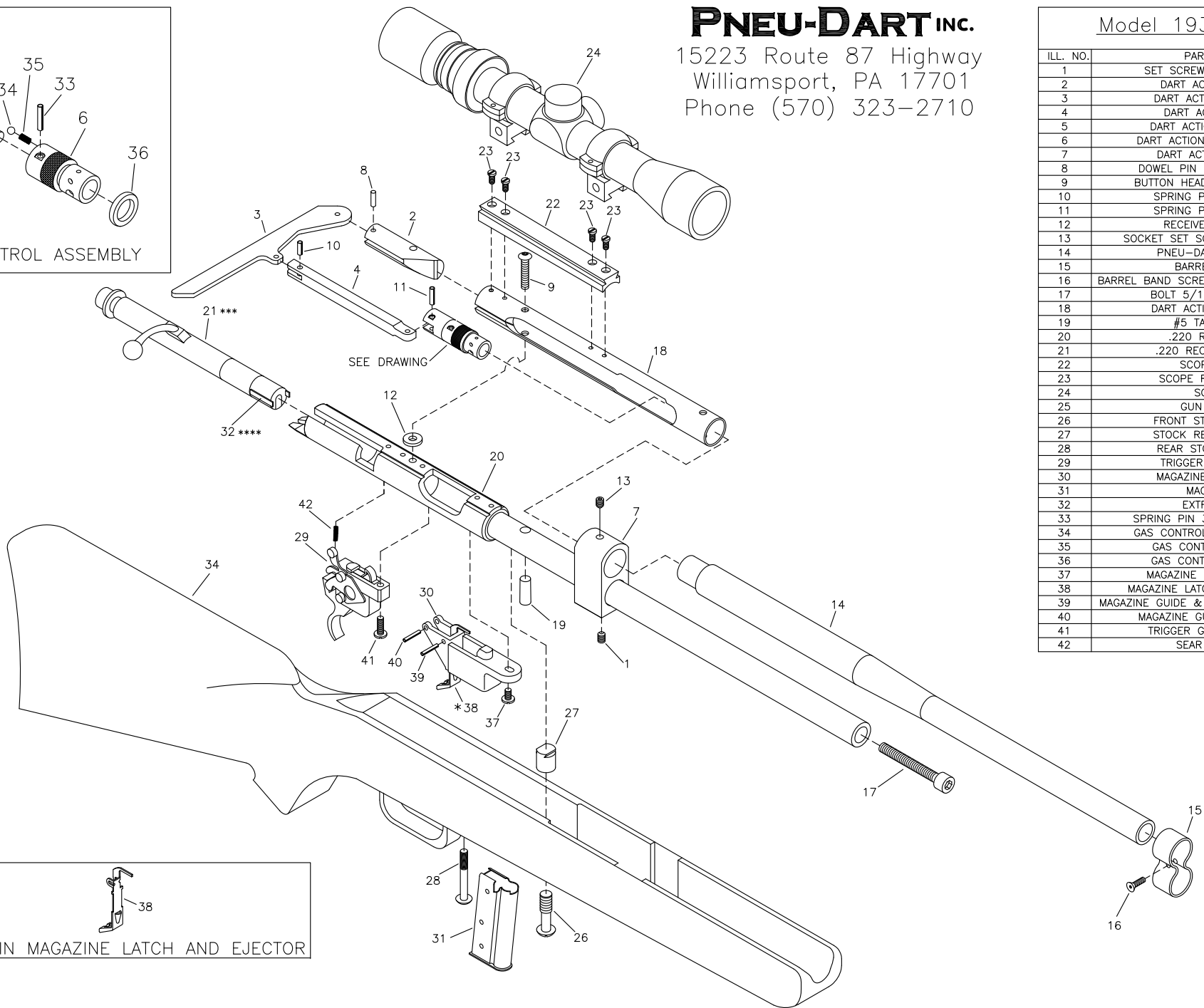
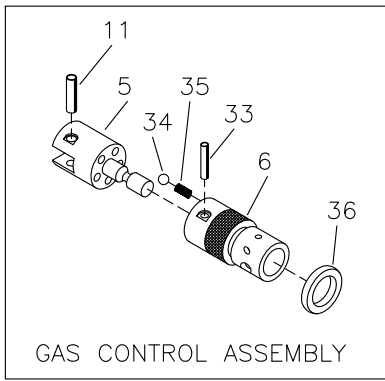


PNEU-DART INC.

15223 Route 87 Highway
Williamsport, PA 17701
Phone (570) 323-2710

Model 193 Rifle

| ILL. NO. | PART NAME |
|----------|-------------------------------------|
| 1 | SET SCREW 10/32x3/16 |
| 2 | DART ACTION PLUG |
| 3 | DART ACTION HANDLE |
| 4 | DART ACTION LINK |
| 5 | DART ACTION PLUNGER |
| 6 | DART ACTION GAS CONTROL |
| 7 | DART ACTION BLOCK |
| 8 | DOWEL PIN S.S. 1/8x7/16 |
| 9 | BUTTON HEADCREW 10-32x1 |
| 10 | SPRING PIN 1/8x3/8 |
| 11 | SPRING PIN 1/8x1/2 |
| 12 | RECEIVER SPACER |
| 13 | SOCKET SET SCREW 10-32x1/4 |
| 14 | PNEU-DART BARREL |
| 15 | BARREL BAND |
| 16 | BARREL BAND SCREW FLAT HD 6/32x1/2 |
| 17 | BOLT 5/16-18x2 1/2 |
| 18 | DART ACTION RECEIVER |
| 19 | #5 TAPER PIN |
| 20 | .220 RECEIVER |
| 21 | .220 RECEIVER BOLT |
| 22 | SCOPE RAIL |
| 23 | SCOPE RAIL SCREW |
| 24 | SCOPE |
| 25 | GUN STOCK |
| 26 | FRONT STOCK SCREW |
| 27 | STOCK RECEIVER NUT |
| 28 | REAR STOCK SCREW |
| 29 | TRIGGER ASSEMBLY |
| 30 | MAGAZINE ASSEMBLY |
| 31 | MAGAZINE |
| 32 | EXTRACTOR |
| 33 | SPRING PIN 3/32x1/2 LONG |
| 34 | GAS CONTROL BALL BEARING |
| 35 | GAS CONTROL SPRING |
| 36 | GAS CONTROL O-RING |
| 37 | MAGAZINE GUIDE SCREW |
| 38 | MAGAZINE LATCH AND EJECTOR |
| 39 | MAGAZINE GUIDE & LATCH ASSEMBLY PIN |
| 40 | MAGAZINE GUIDE PIVOT PIN |
| 41 | TRIGGER GROUP SCREW |
| 42 | SEAR SPRING |



** - RESTRICTED AVAILABILITY - PARTS INSTALLED AT PNEU-DART ONLY.

*** - RESTRICTED AVAILABILITY - PARTS SENT TO QUALIFIED GUNSMITH ONLY.

**** - NON-RESTRICTED AVAILABILITY - PARTS MAY REQUIRE SOME FINAL FITTING SANDING OR FILING.

EXPLODED VIEW - MODEL 193